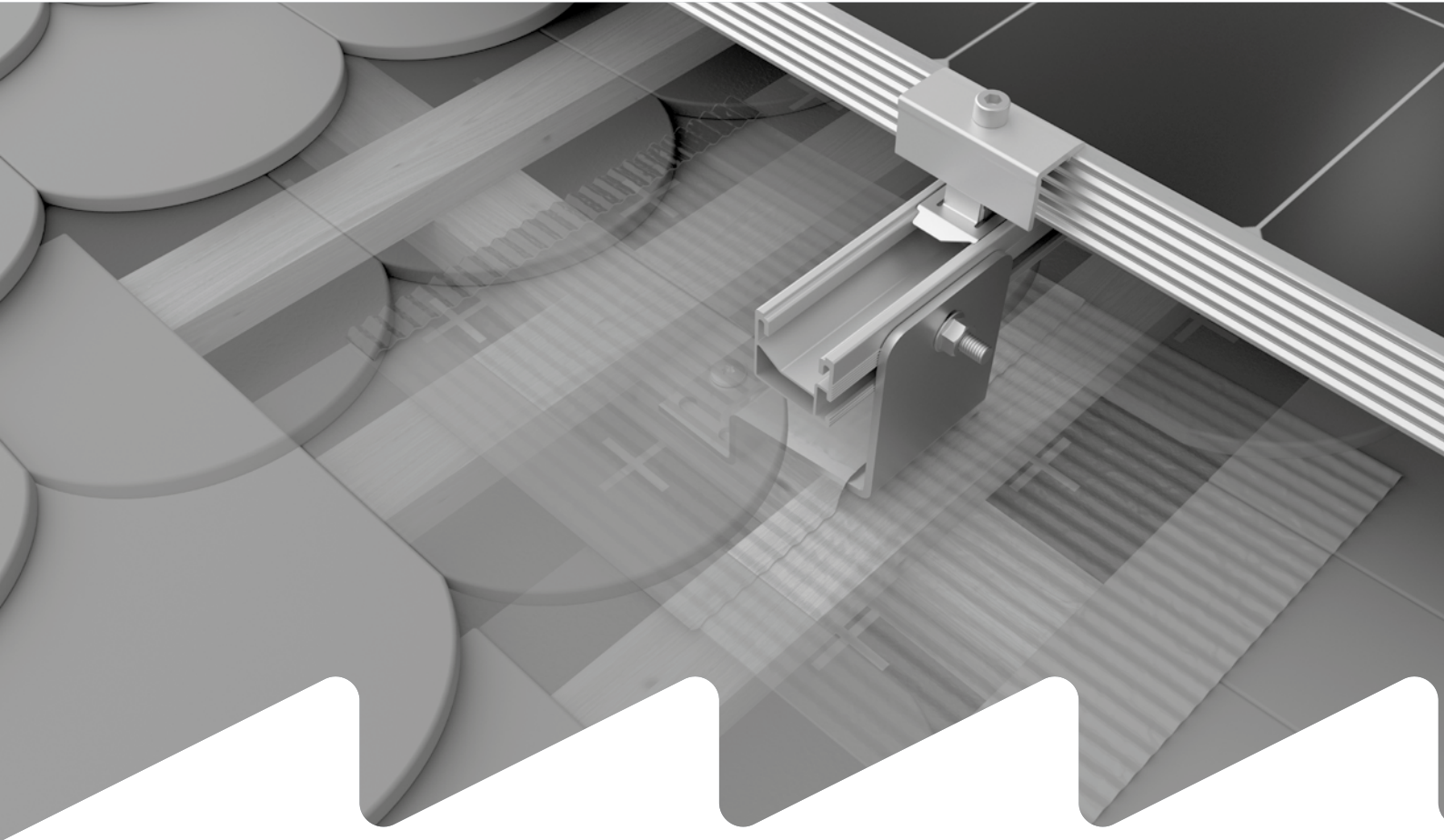




**Connecting Strength**



Assembly Manual

# **SingleRail System**

## **Roof hook flat tile**

# Content

• Tools overview	3
• General safety information	4
• The following guidelines apply	5
· Planning with K2 Base	5
· Roof requirements	5
· Important mounting instructions	5
• Components	6
· Portrait assembly	6
· Additional components landscape assembly	8
• Assembly	9
· Portrait double covering step 1-5	9
· Portrait Crown covering Step 1-5	12
· Portrait step 6-10	15
· Landscape	18

## Quality tested - multiple certifications

K2 Systems stands for secure connections, highest quality and precision. Our customers and business partners have known that for a long time. Independent institutes have tested, confirmed and certified our capabilities and components.

Please find our quality and product certificates under:

[k2-systems.com](https://www.k2-systems.com)

# Tools overview



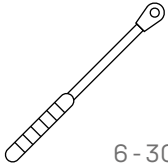
6 mm



13 mm



25 / 40



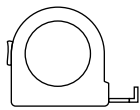
6 - 30 Nm  
(4,5 - 22,2 lb-ft)



6 mm



13 mm

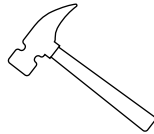


≥ 3,0 m



≥ 6,0 m

## Optional



## Digital Toolbox



**Do you already know our digital services?** Use our K2 DocuApp now and record the first important data directly at the customer or project site.

Simply transfer the data to our online planning software K2 Base. Here you can plan your project easily, safely and quickly. You receive a detailed project report with assembly plan and static report. The K2+ interface enables seamless project data transfer to the planning tools of well-known inverter manufacturers or yield planning tools.

With the K2 DocuApp, project documentation is done quickly and easily - without any annoying paperwork.

**Get started and register now:**

[docuapp.k2-systems.com](https://docuapp.k2-systems.com) →

[base.k2-systems.com](https://base.k2-systems.com) →

# General safety information

Please note that our general mounting instructions must be followed at all times and can be viewed online at [k2-systems.com](https://www.k2-systems.com)

- The equipment may only be installed and operated by qualified and adequately trained installers.
- Prior to installation, ensure that the product complies with on-site static loading requirements. For roof-mounted systems, the roof load-bearing capacity must always be checked.
- National and local building regulations and environmental requirements must be adhered to.
- Compliance with health and safety regulations, accident prevention guidelines and applicable standards is required.
  - Protective equipment such as safety helmet, boots and gloves must be worn.
  - Roofing works must be in accordance with roofing regulations utilising fall protection safeguards when eaves height exceeds 3 m.
  - At least two people must be present for the duration of the installation work in order to provide rapid assistance in the event of an emergency.
- K2 mounting systems are continuously developed and improved and the installation process may thereby change at any time. Prior to installation consult our website at [k2-systems.com](https://www.k2-systems.com) for up-to-date instructions. We can send you the latest version on request.
- The assembly instructions of the module manufacturer must be adhered to.
- Equipotential bonding/grounding/earthing between individual parts is to be performed according to country specific standards, as well as national laws and regulations.
- At least one copy of the assembly instructions should be available on site throughout the duration of the installation.
- Failure to adhere to our general safety and assembly instructions and not using all system components, K2 is not liable for any resulting defects or damages. We do not accept liability for any damage resulting in the use of competitor's parts. Warranty is excluded in such cases.
- German law shall apply excluding the UN Convention on CISG. Place of venue is Stuttgart. Our General Terms of Business apply.
- If all safety instructions are adhered to and the system is correctly installed, there is a product warranty entitlement of 12 years! We strongly recommend reviewing our terms of guarantee, which can be viewed at [k2-systems.com](https://www.k2-systems.com). We will also send this information on request.
- Dismantling of the system is performed in reverse order to the assembly.
- K2 stainless steel components are available in different corrosion resistance classes. Each structure or component must be carefully checked for possible corrosion exposure.

# The following guidelines apply

This System can be used without further testing by K2 systems in the following standard conditions. It is also suitable for higher requirements. However, if a value exceeds the standard conditions, please contact K2 Systems.



## Planning with K2 Base

We recommend our free online software K2 Base for the planning. In five steps, you can plan the right assembly system and get an installation recommendation, a bill of materials and the structural analysis report. Simply register and start planning:  
[base.k2-systems.com](https://base.k2-systems.com)



## Roof requirements

- Sufficient holding force of the roof covering at the support or substructure must be ensured on site.
- Roof pitches: 18 - 75°
- Sufficient load reserves to support the PV system



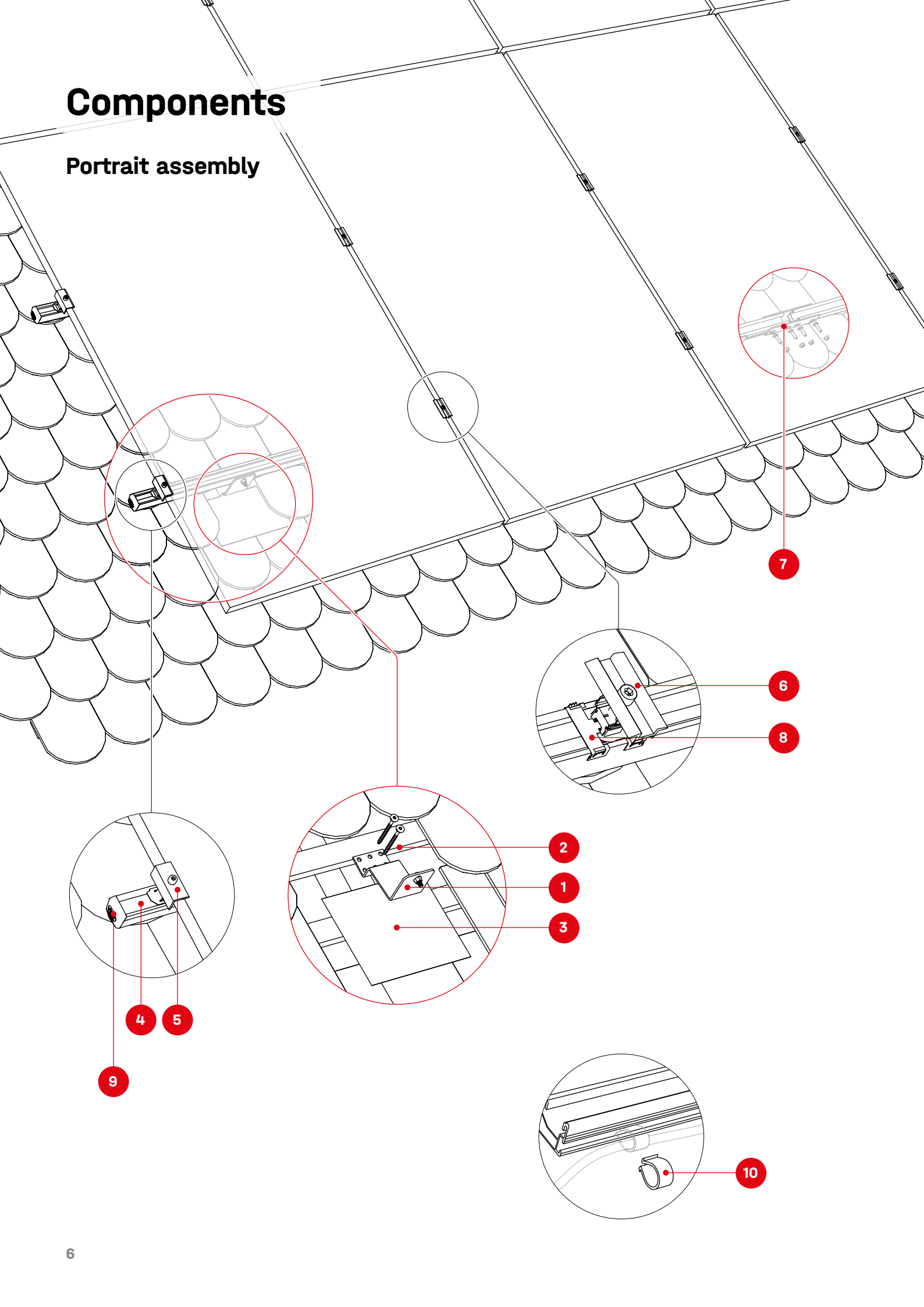
## Important mounting instructions

- On-site general standards and regulations for lightning protection must be observed and consultation with a specialist to create a lightning protection concept is recommended (use lightning protection clamp if necessary). Country-specific regulations apply.
- Please refer to our manual "Attach K2 roof hooks with flat head screw" for the installation of all roof hooks  
[k2-systems.com/en/handbook-roof-hooks](https://k2-systems.com/en/handbook-roof-hooks)

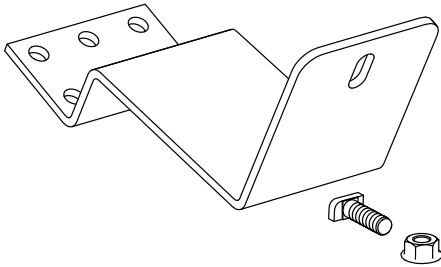
- Ensure a thermal separation after a maximum rail length of 17.6 m.
- A minimum mounting distance of 50 mm from the end of the rail/rail joint to the module frame.
- Tightening torque for all module clamps 16 Nm
- Please refer to the module manufacturer's installation manual regarding the clamps.
- Do not step on roof hooks or rails.
- Sizing and positioning of the wood screws are subject to the relevant regulations.
- In case of non-rigid on-roof insulation e.g. mineral fibre, ensure a suitable spacer screw connection between the counter batten and the rafter.
- The following applies to all on-roof insulation materials: With counter-battens >40mm in height the roof hook may be fastened into the counter-battens should these be sufficiently shear and pressure resistant.

# Components

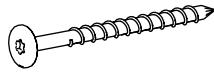
## Portrait assembly



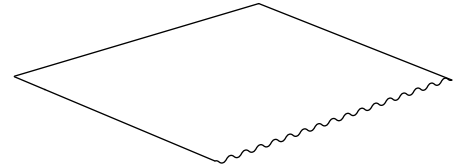
- 1** 2004416, 1002387, 2002744  
**SingleHook FlatTile,**  
 T-Bolt 20/12, Self-locking  
 hexagon nut serration M8



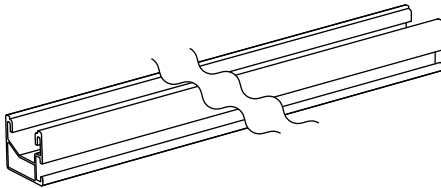
- 2** Item number system-specific  
**Wood screw, flat head**



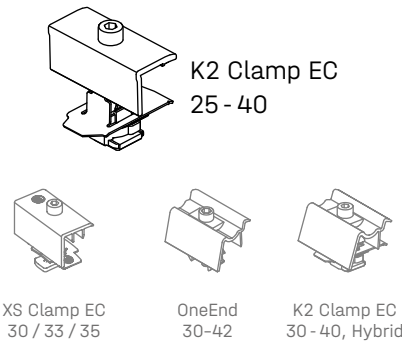
- 3** 2004282 / 2004440  
**SingleHook FlatTile sheet metal**  
**red /anthracite**



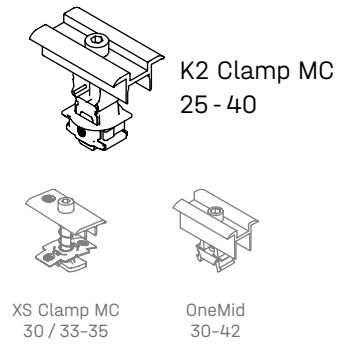
- 4** Item number system-specific  
**SingleRail 36 or Light**



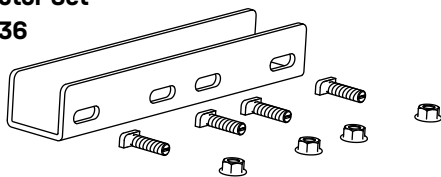
- 5** Item number system-specific  
**Module end clamps**



- 6** Item number system-specific  
**Module middle clamps**



- 7** 2001976  
**Rail connector Set**  
**SingleRail 36**

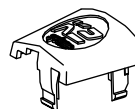


## Optional

- 8** 2004231  
**TerraGrif QL**



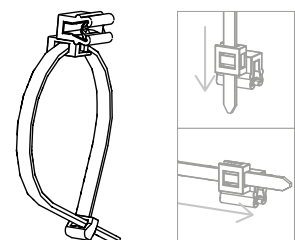
- 9** 1004767  
**EndCap SingleRail 36**



- 10** 1005394  
**Omega cable clip**

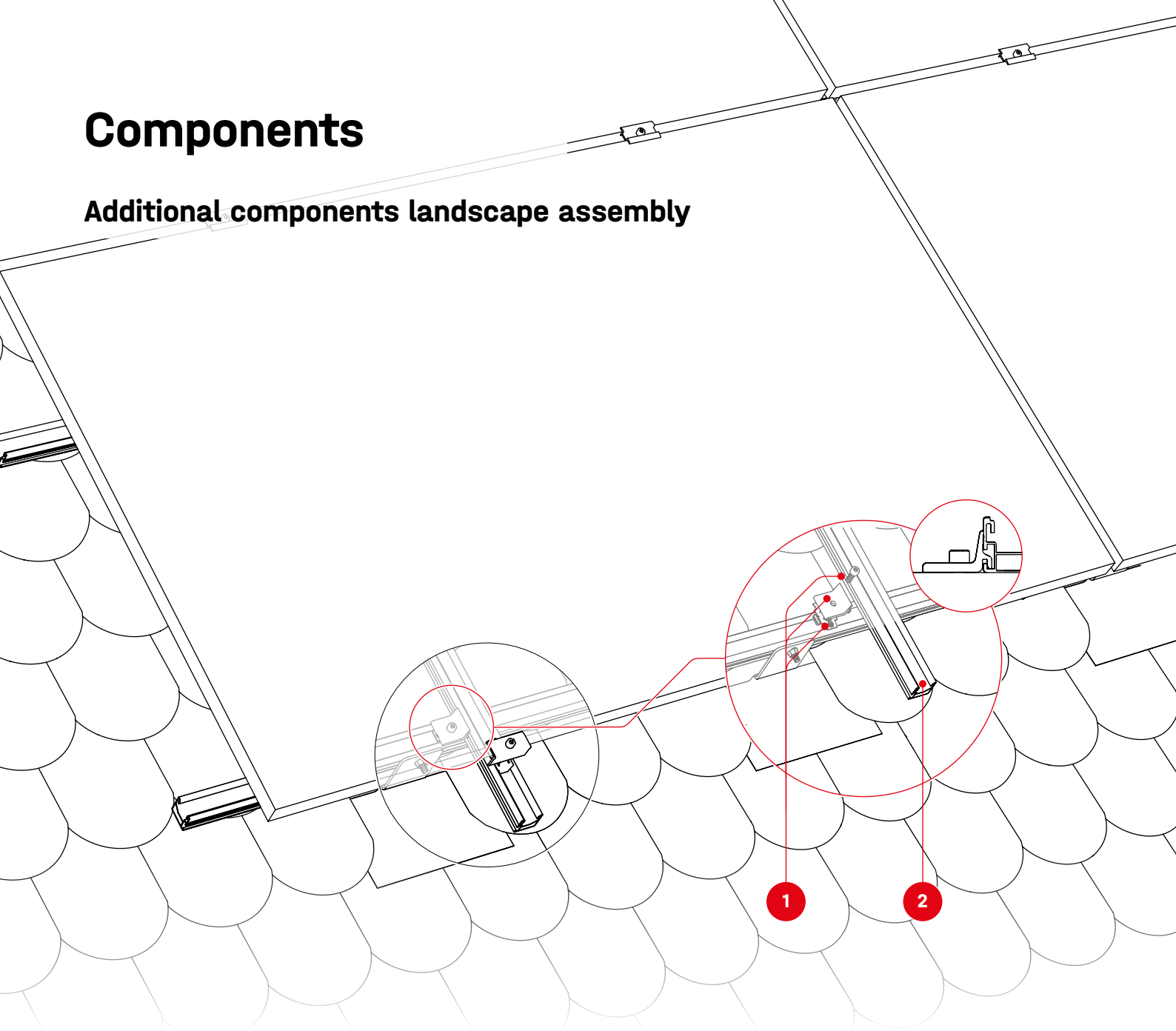


- 2002870  
**Cable Manager**

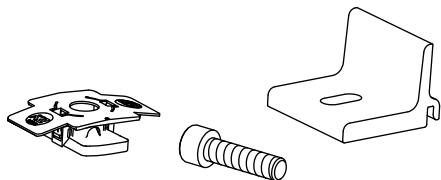


# Components

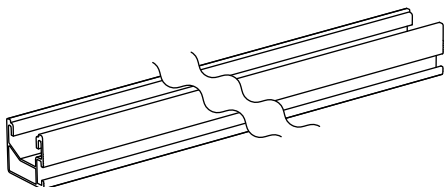
## Additional components landscape assembly



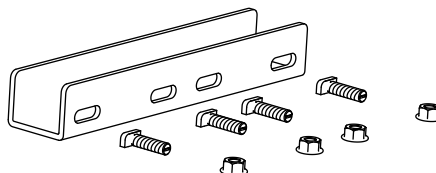
- 1** 2003145  
**Climber 36/50 Set**



- 2** Item number system-specific  
**SingleRail 36, Light**



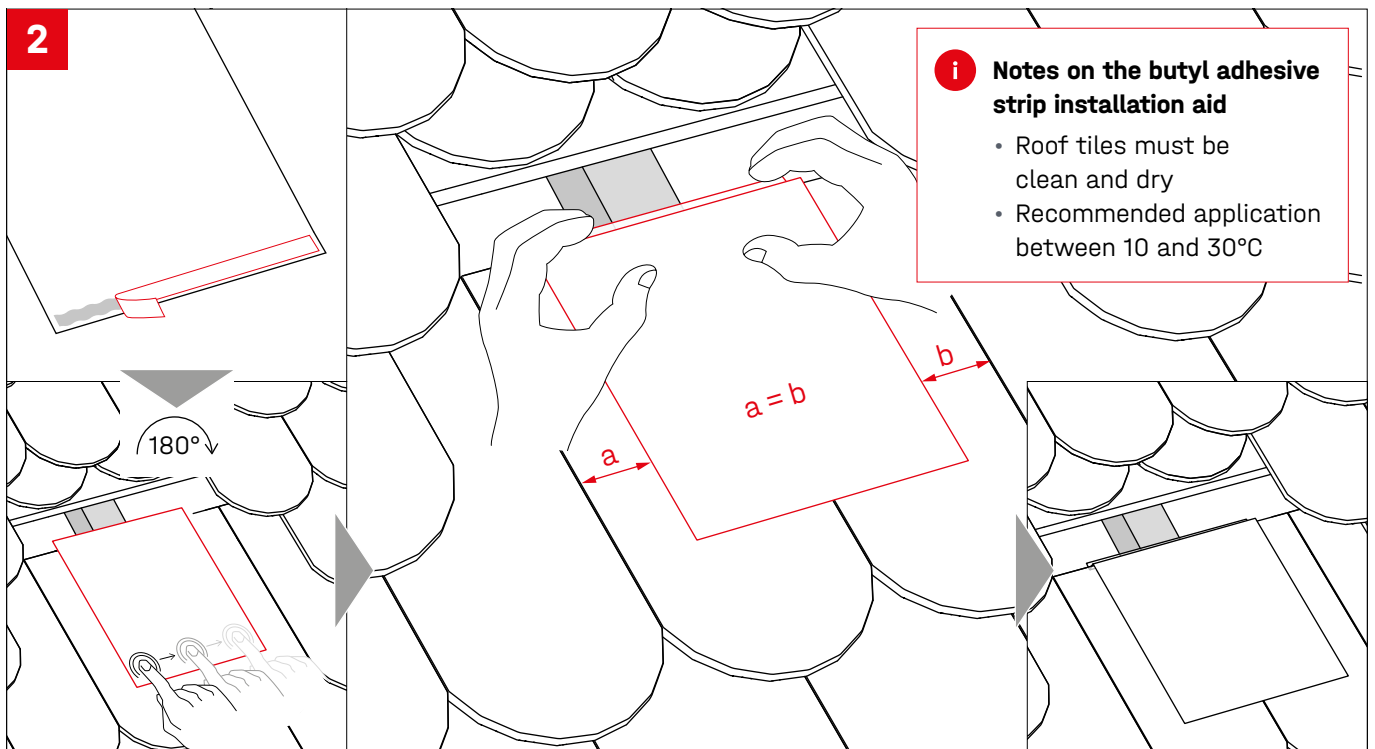
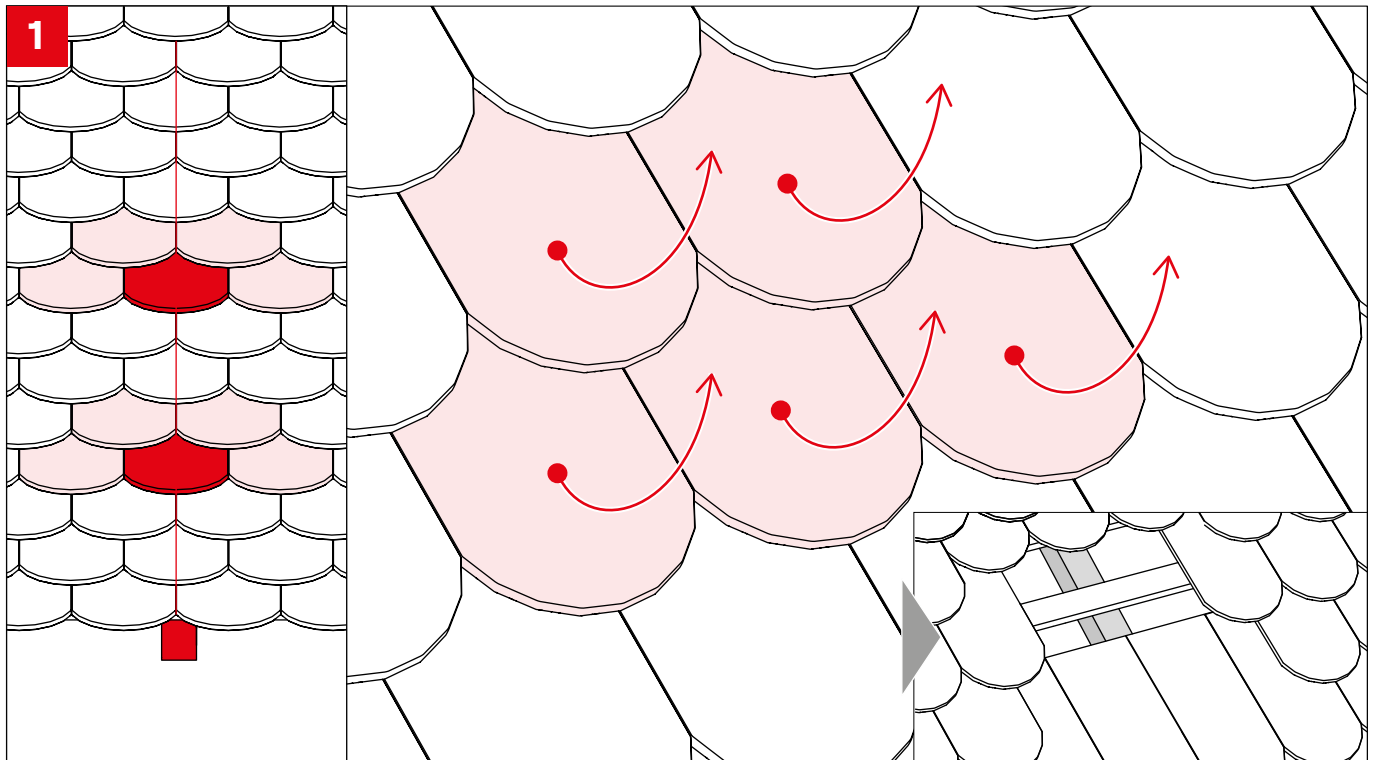
- Optional:**  
2001976  
**SingleRail 36 Connector Set**

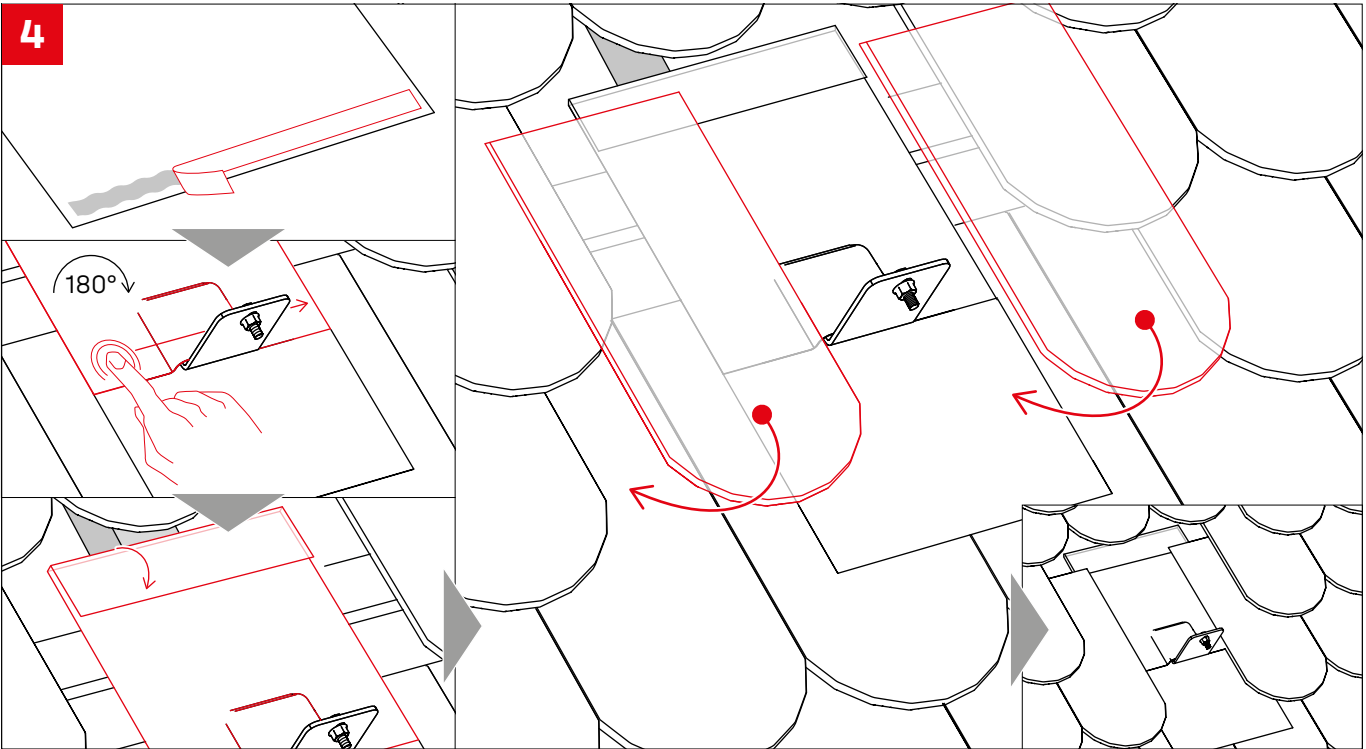
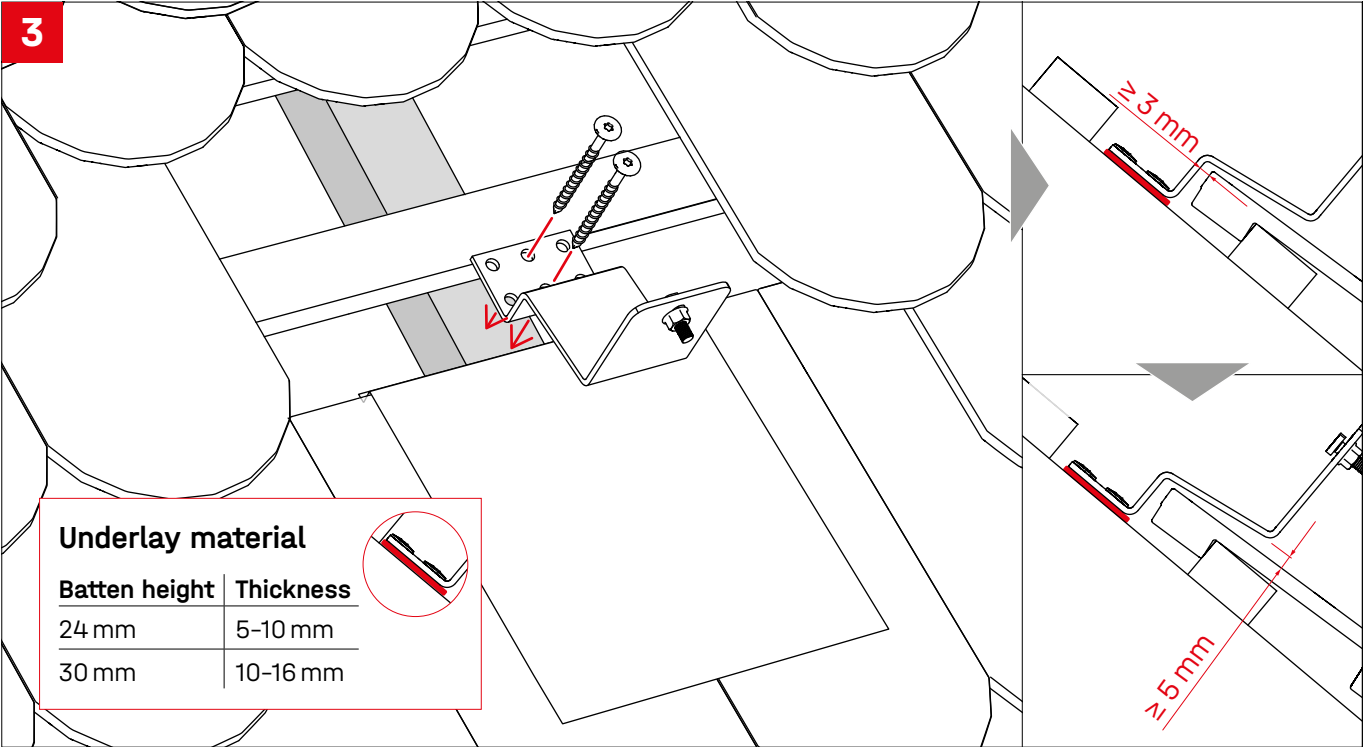


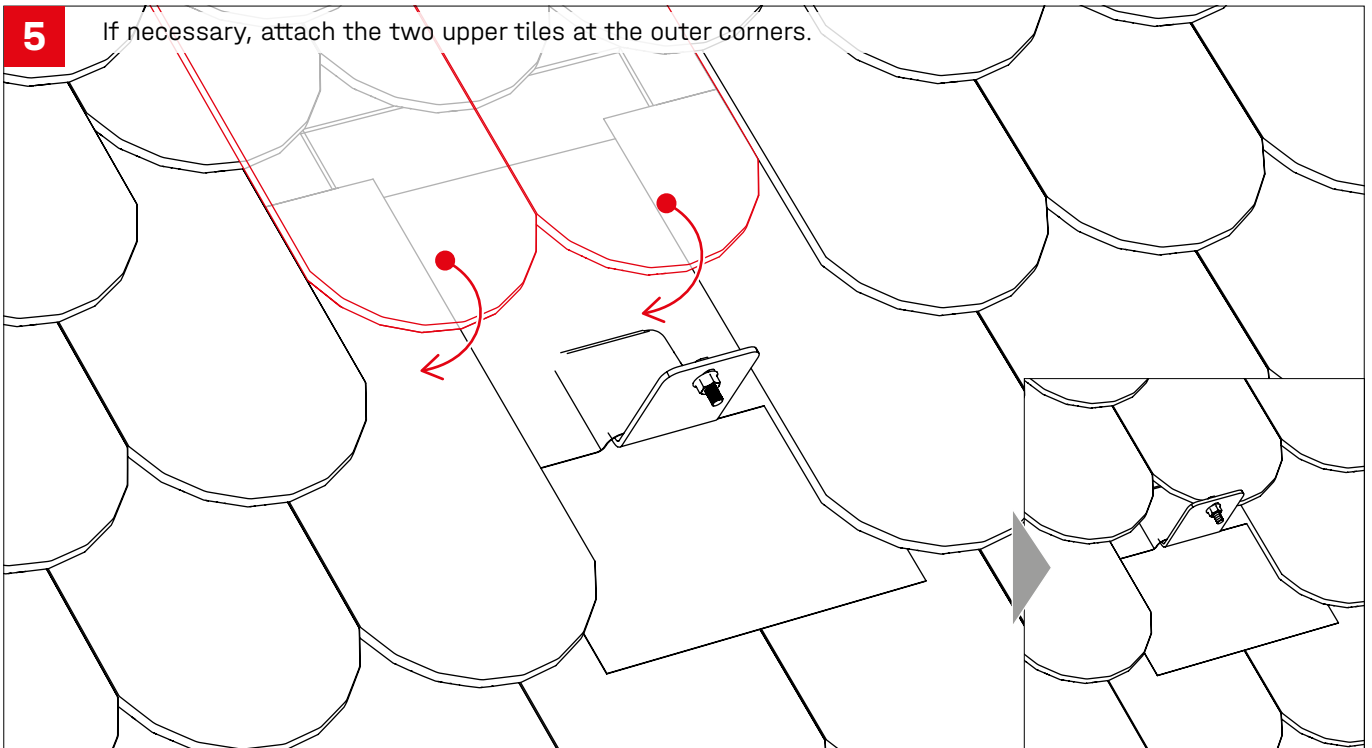


# Assembly

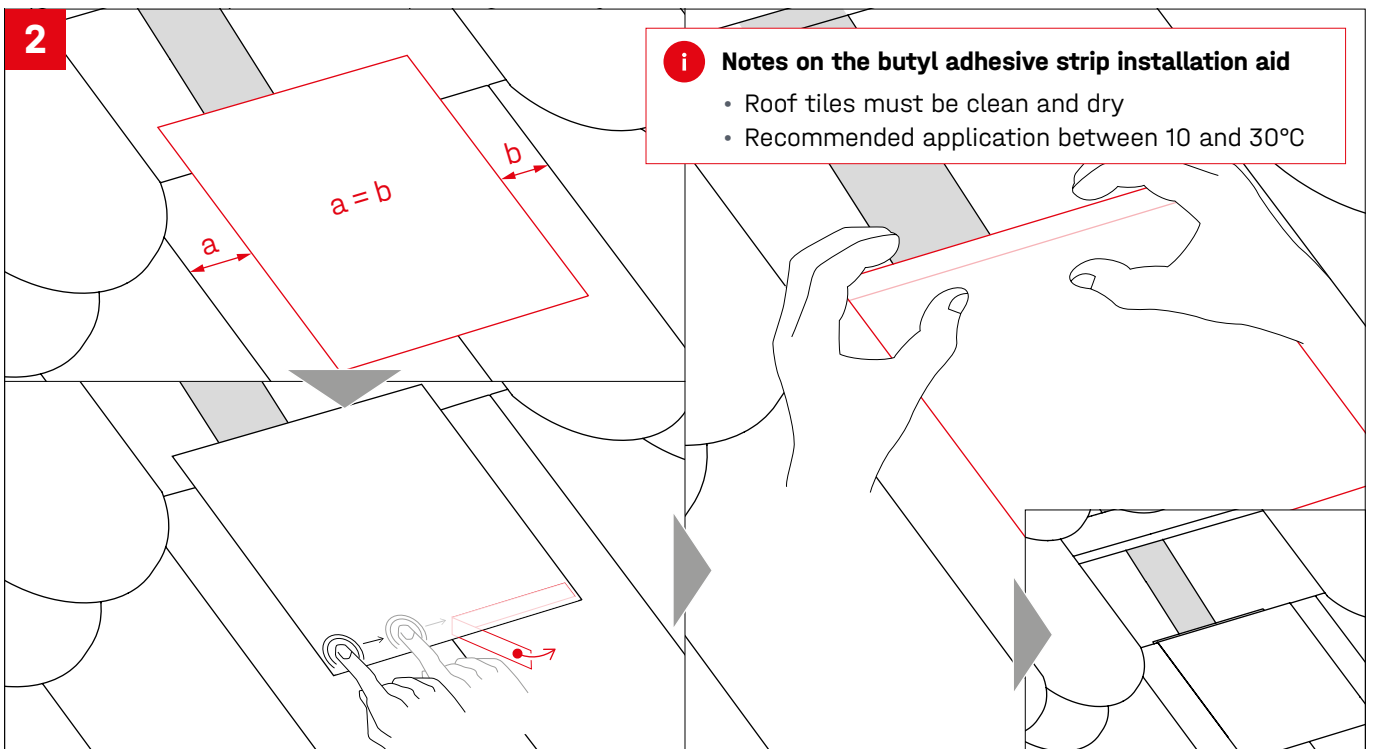
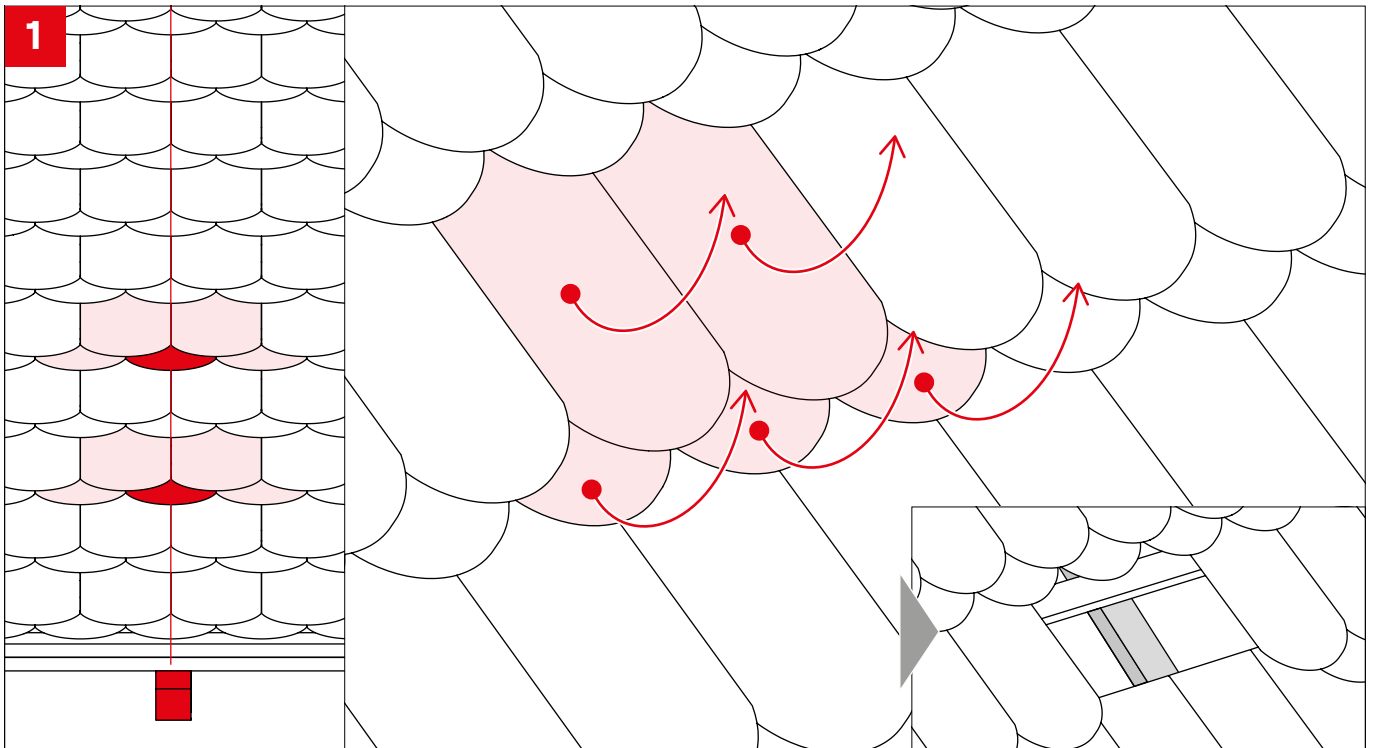
## Portrait double roofing step 1-5

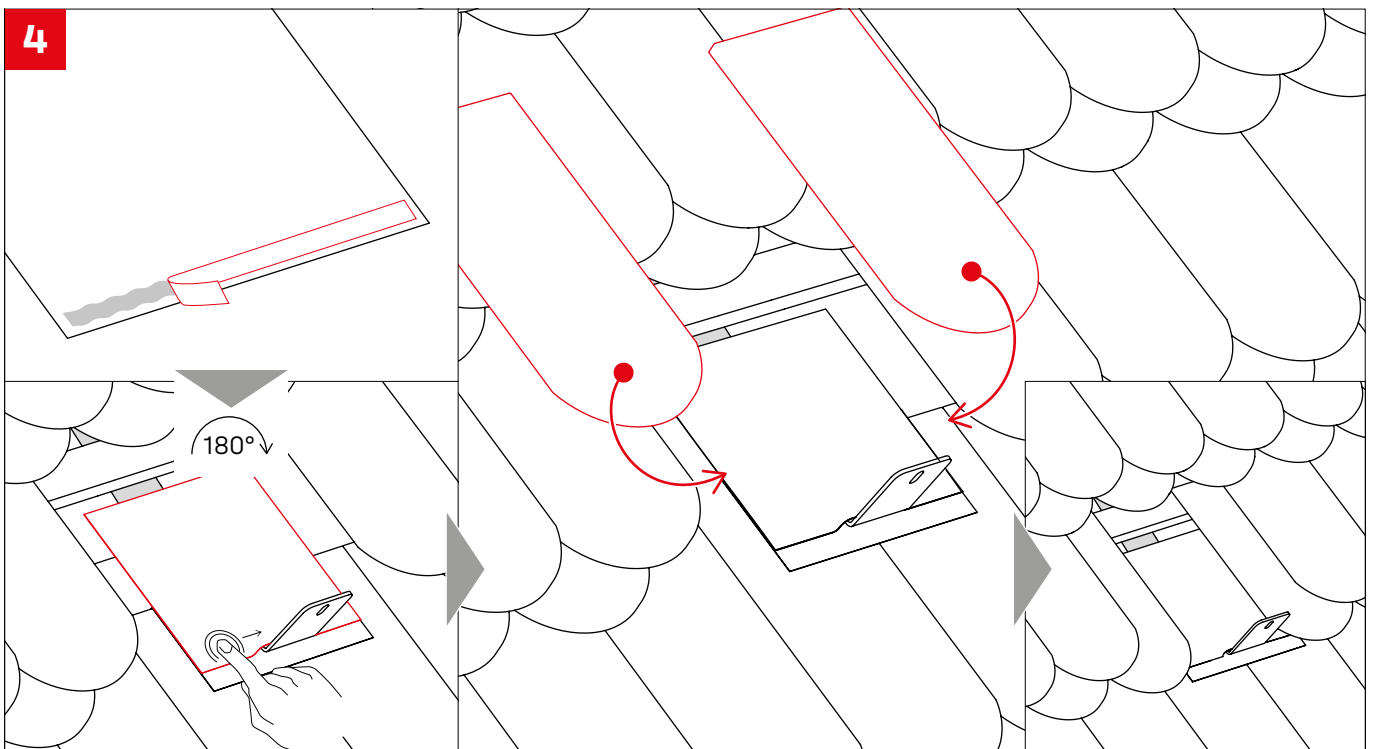
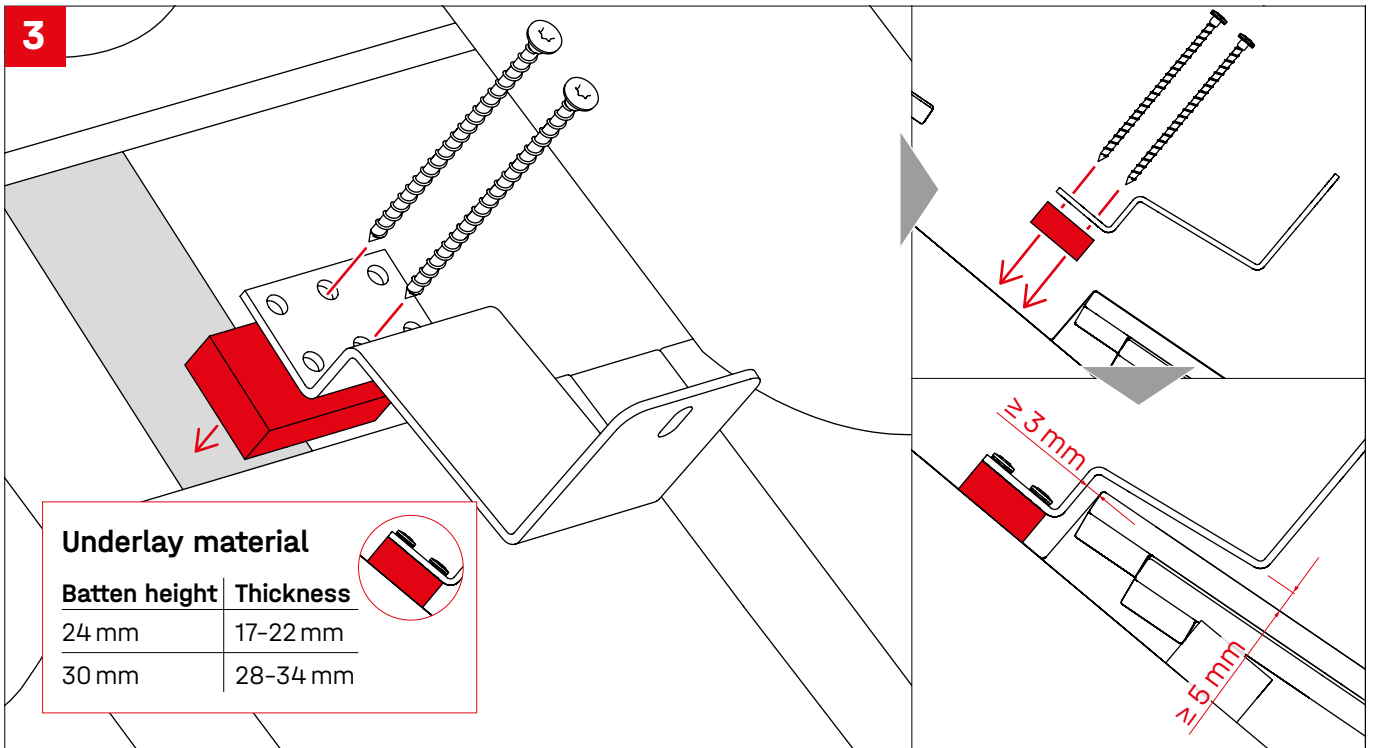




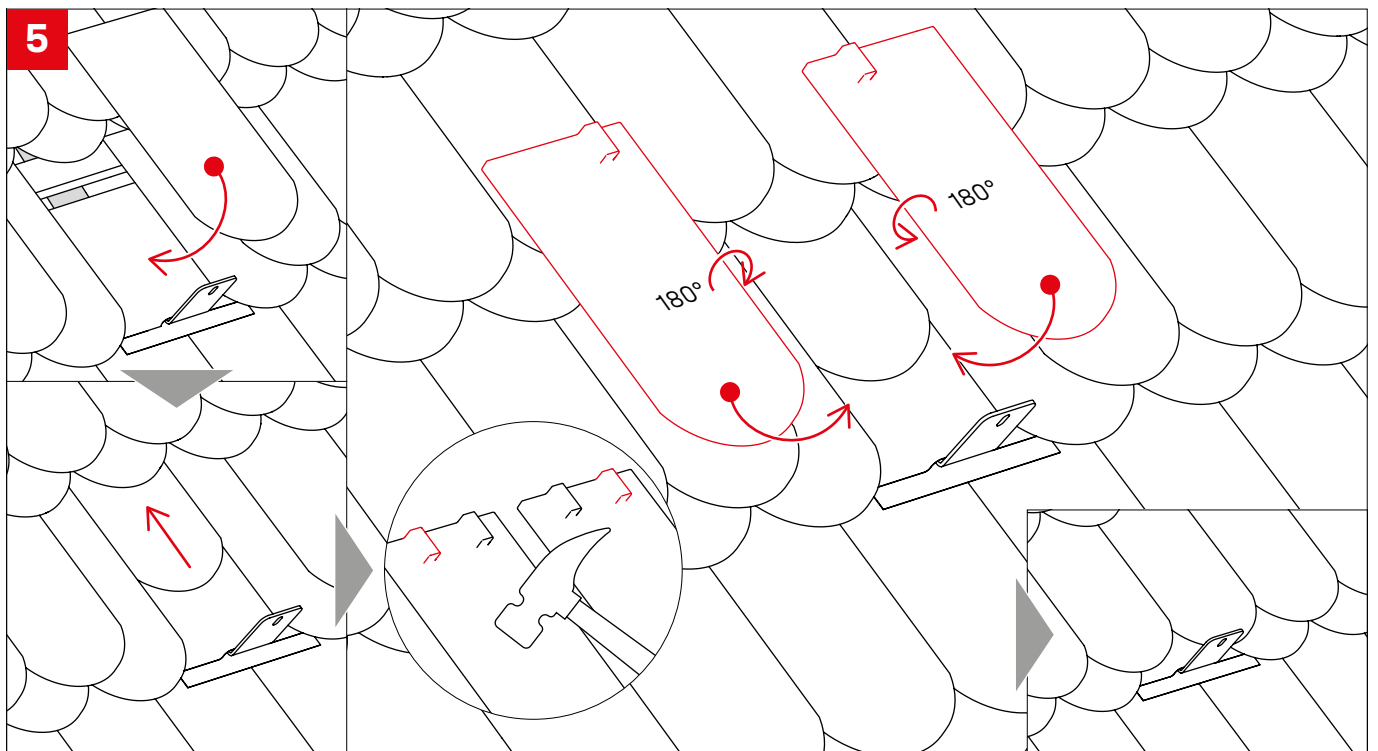


## Portrait Crown covering Step 1 - 5

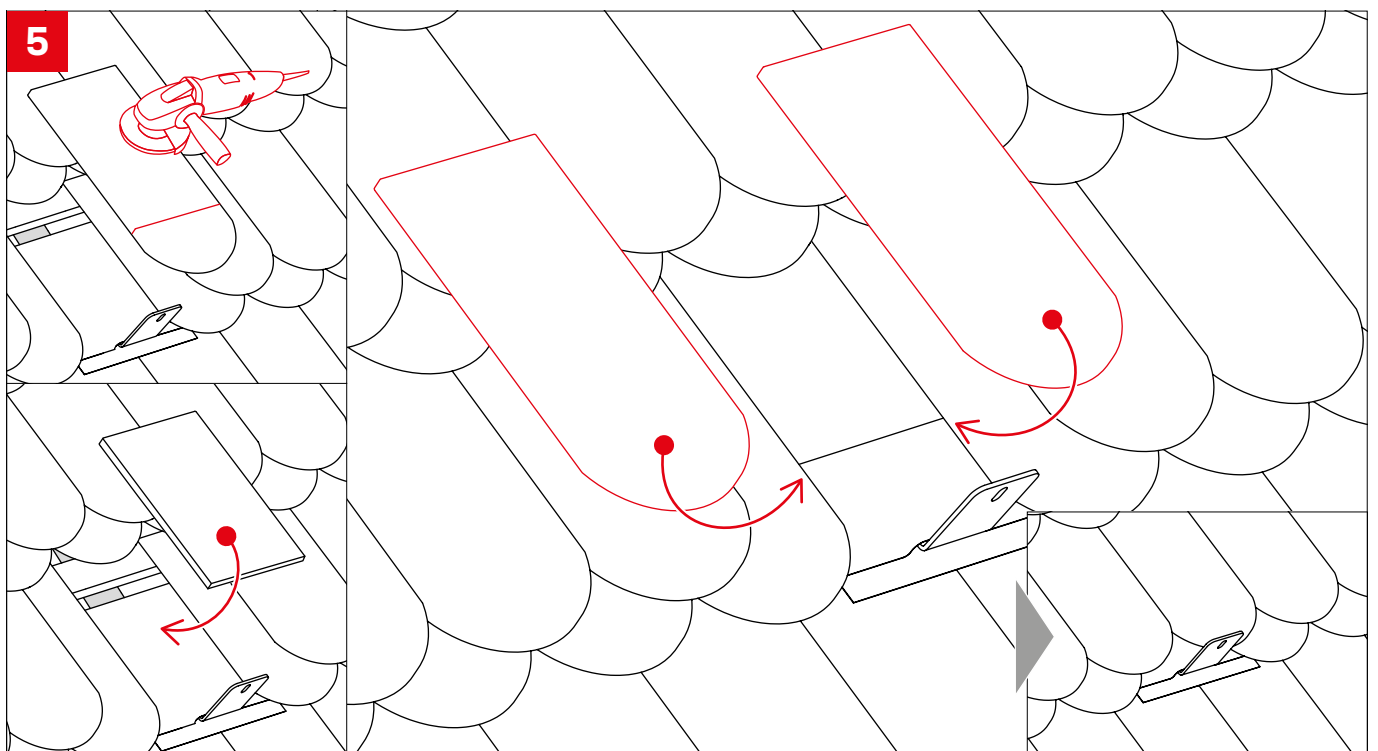




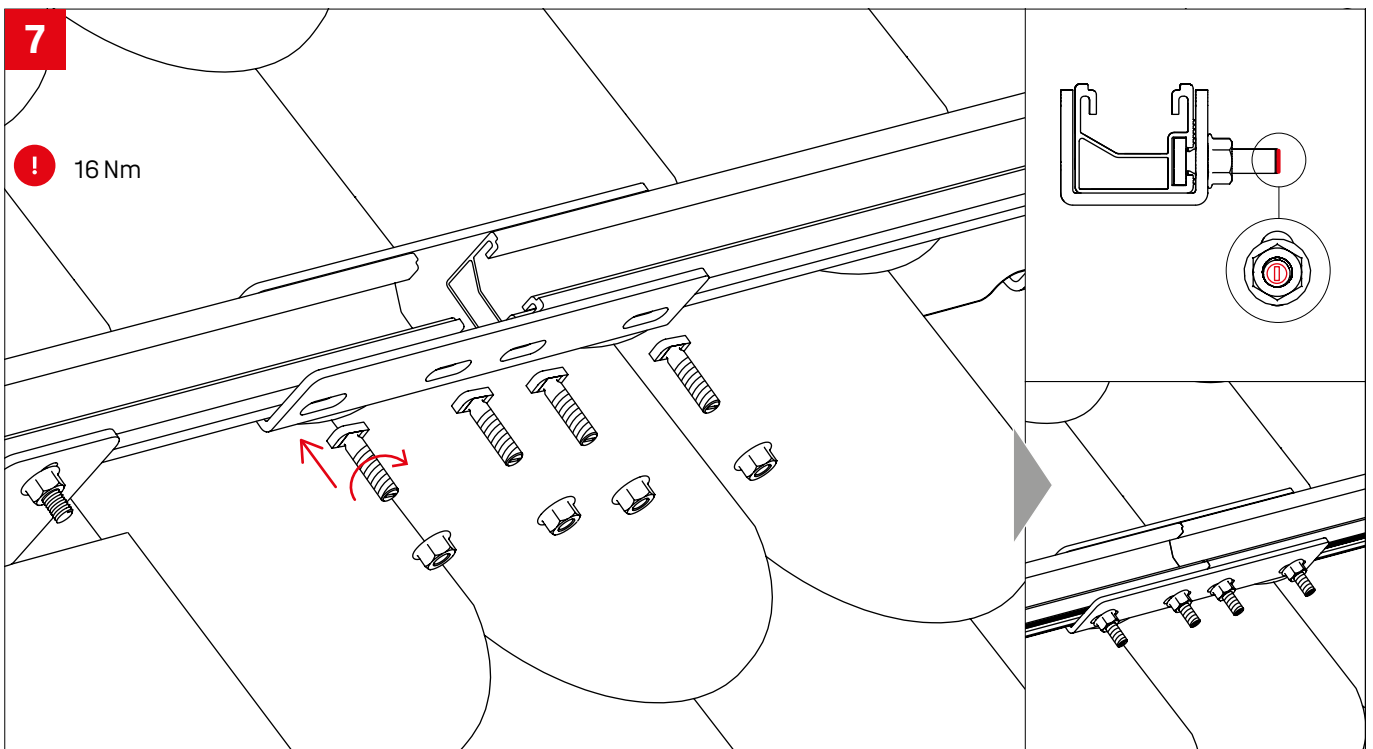
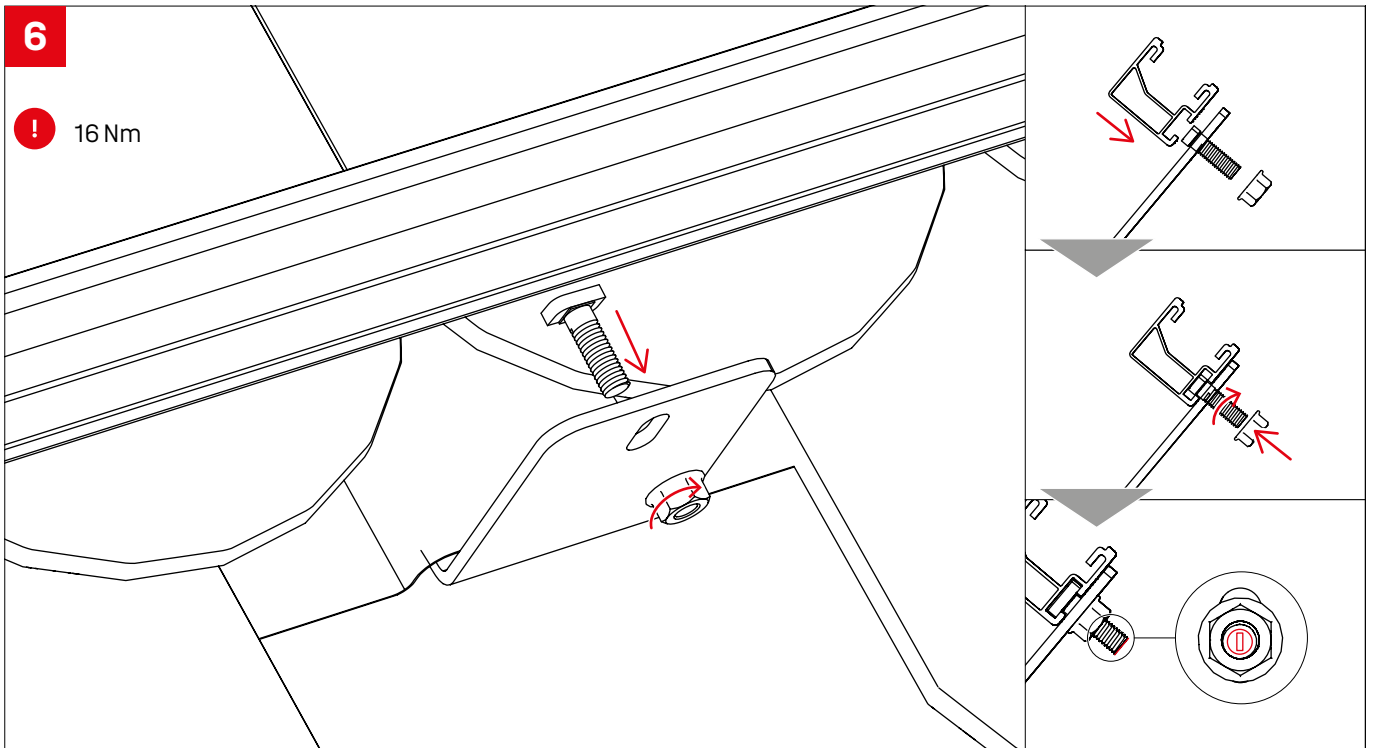
Option 1

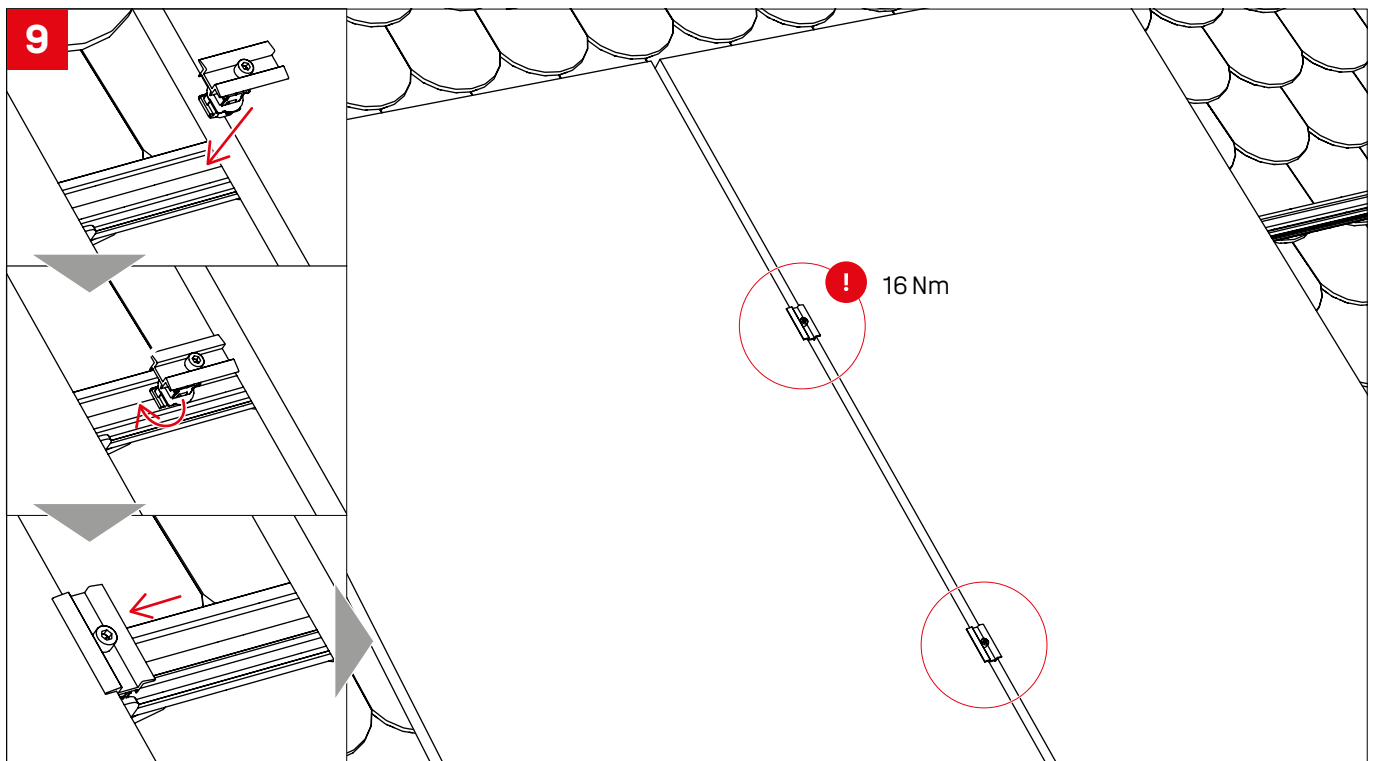
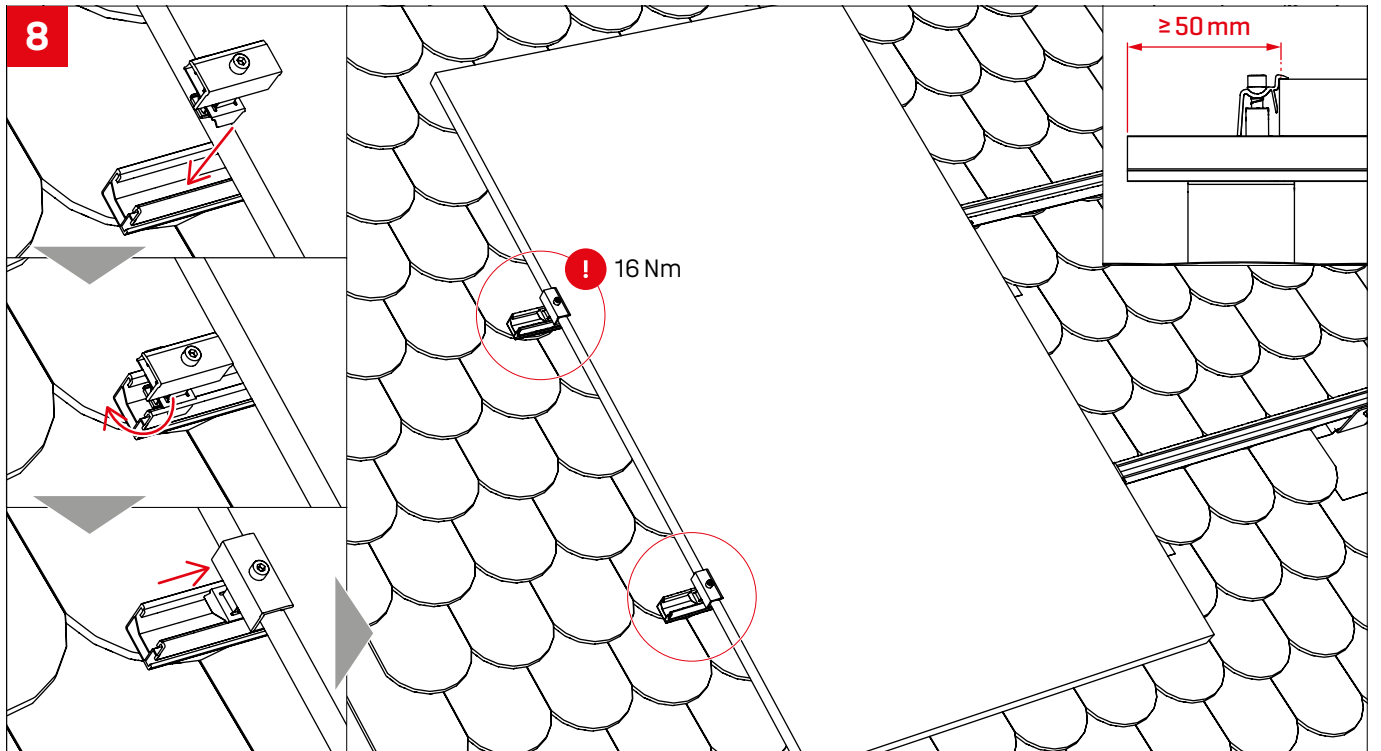


Option 2



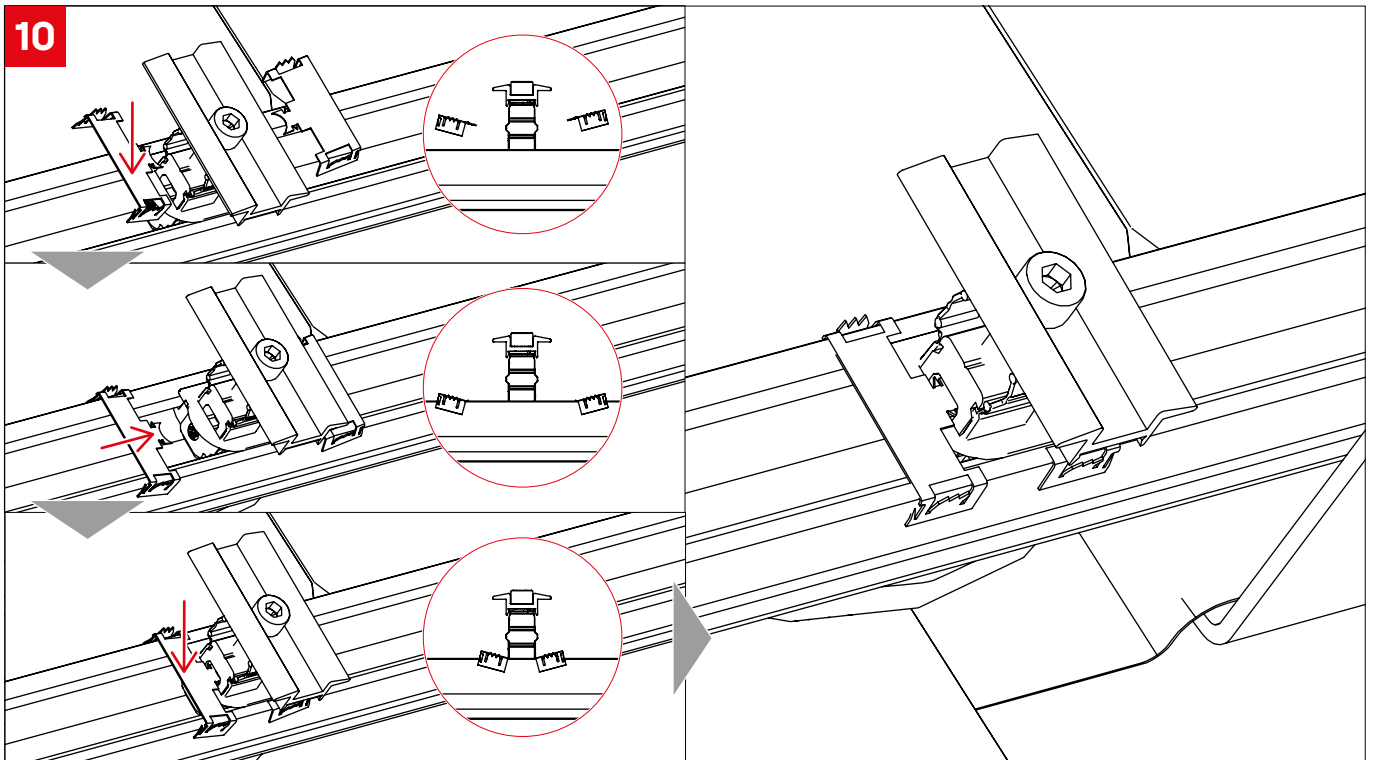
## Portrait step 6 - 10





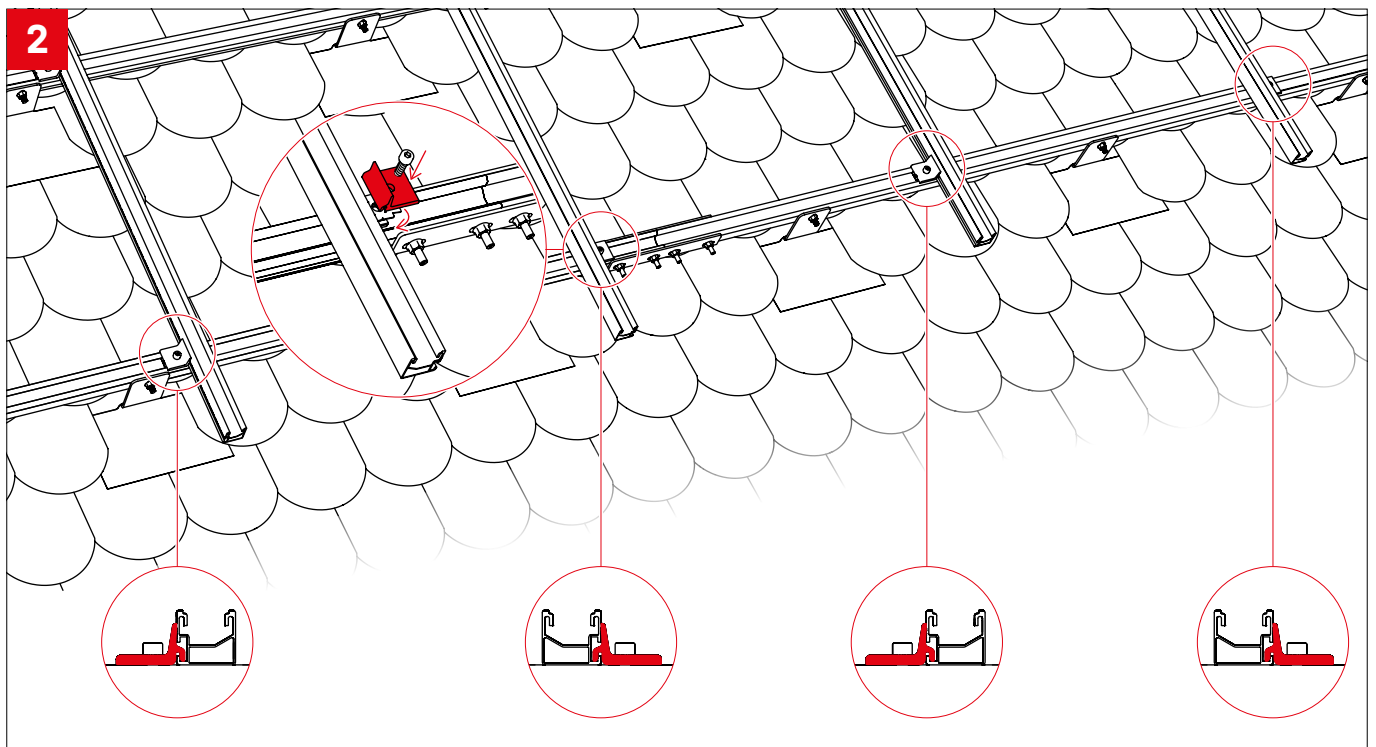
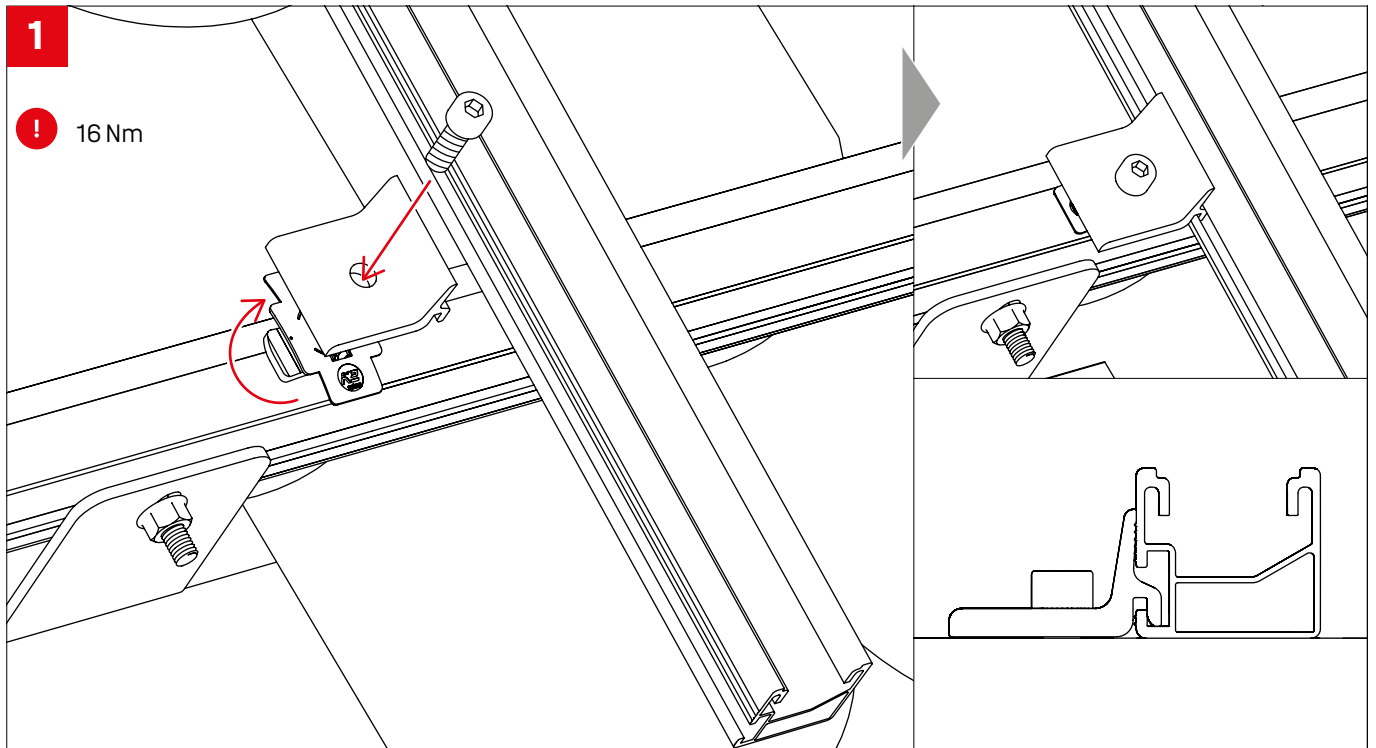


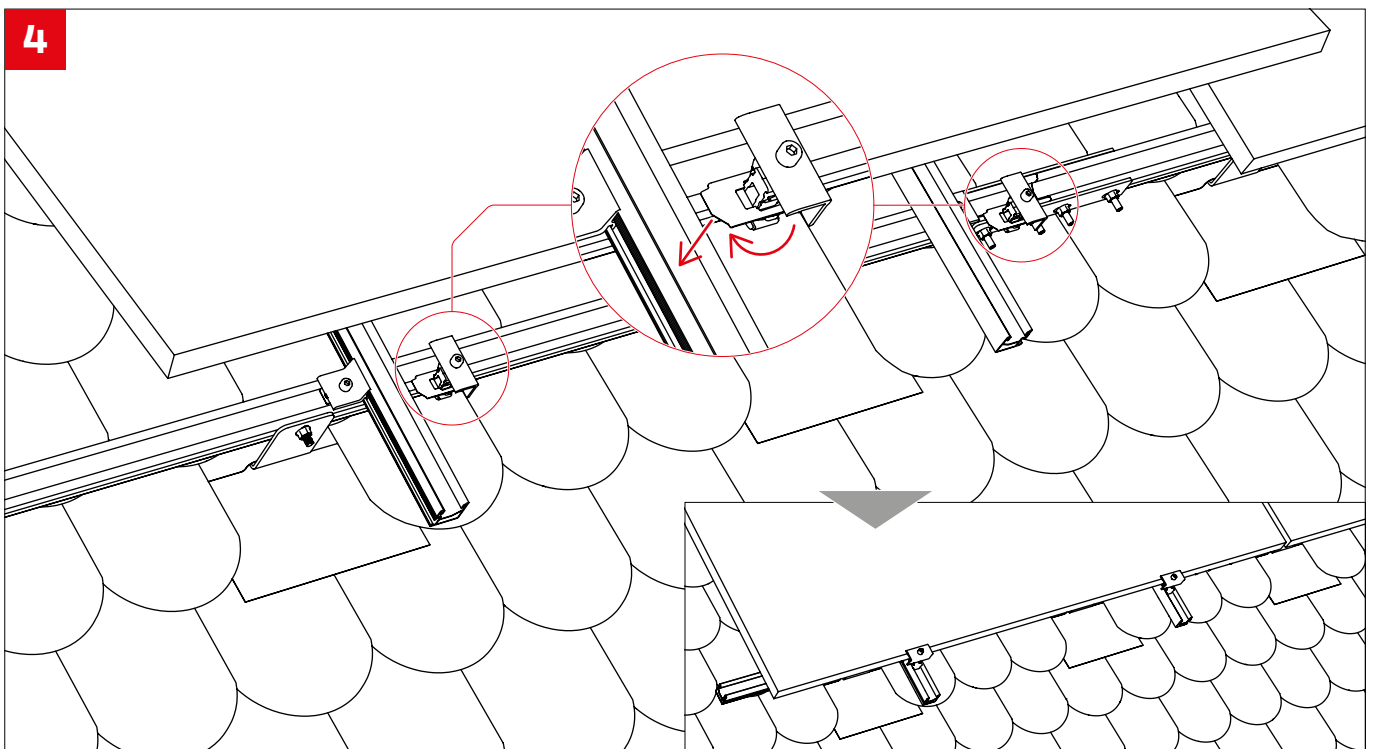
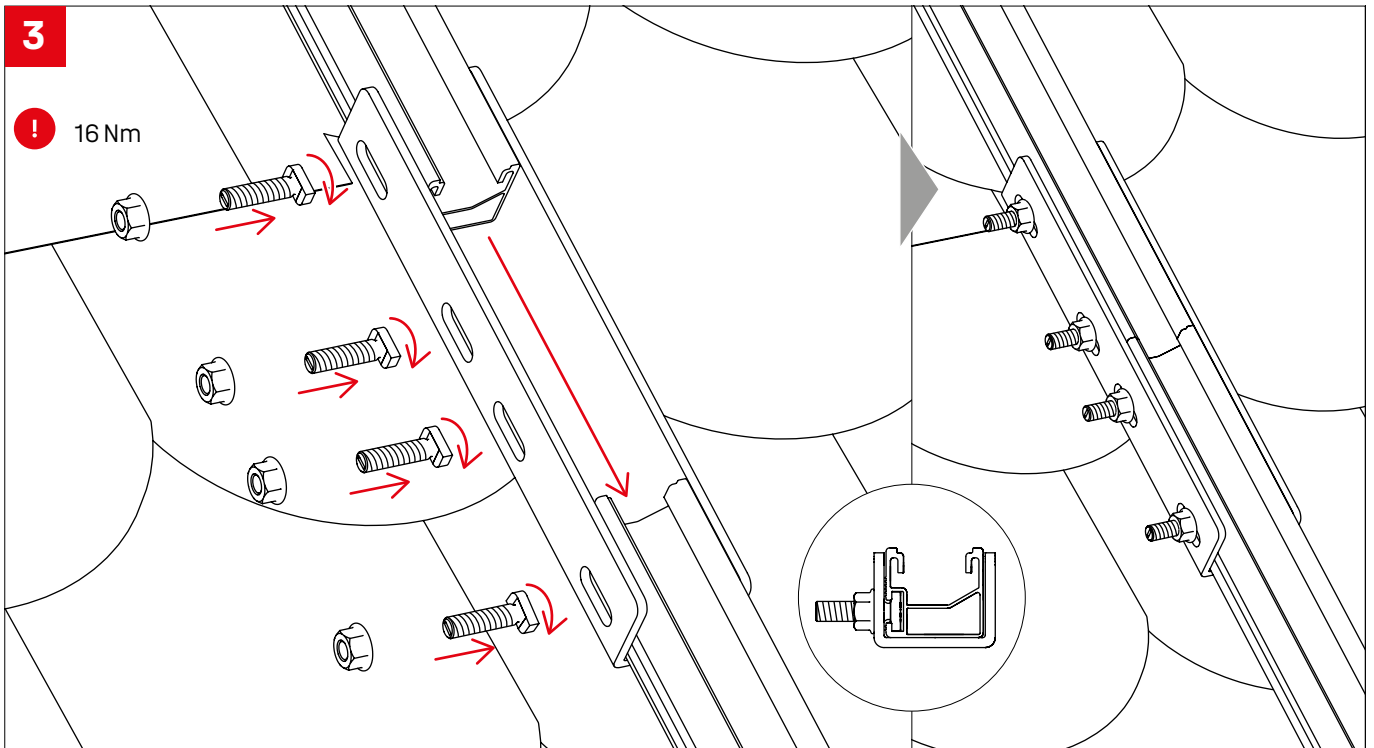
## Optional - TerraGrif K2MI



# Assembly

## Landscape







# Connecting Strength

## Thank you for choosing a K2 mounting system.

Mounting systems from K2 Systems are quick and easy to install. We hope these instructions have helped. Please contact us with any questions or suggestions for improvement. Our contact data:

- [k2-systems.com/en/contact](https://k2-systems.com/en/contact)
- **Service Hotline: +49 (0)7159 42059-0**

Our General Terms of Business apply. Please refer:  
[k2-systems.com](https://k2-systems.com)

**K2 Systems GmbH**  
Haldenstraße 1 · 71272 Renningen · Germany  
+49 (0) 7159 - 42059 - 0 · [info@k2-systems.com](mailto:info@k2-systems.com) · [k2-systems.com](https://k2-systems.com)

SingleHook Flat Tile Assembly EN V1 | 0925 · Subject to change  
Product illustrations are exemplary and may differ from the original.